

Technical Data Sheet

Product Name	
Full Product Name	750 Concrete Sealer
Type of Product	1K Acrylic Clearcoat
Description	Concept 750 Concrete Sealer is an acrylic based concrete clear coating, suitable for most concrete surfaces, providing a highly robust and durable surface. It is characterised by excellent adhesion that blocks the penetration of dirt, oil, grease, chemicals and resists stains. This makes the concrete easier to clean and maintain. Its excellent wear resistance makes it suitable for high traffic areas. Concrete sealer comes in 19Lt pails for the addition of a 1Lt Tint concentrate, this will be transparent. For opacity 2-3 Lt's of the tint is required.

Products						
Product Name	Volume Solids %	Weight Solids %	Density		VOC	
			g/mL	lbs/US gal	g/L	lbs/US gal
750 Concrete Sealer Tints for Concrete sealer	13.8	16.8	0.948	7.91	787.7	6.57

Properties
<ul style="list-style-type: none"> • Superior performance
<ul style="list-style-type: none"> • Fast drying
<ul style="list-style-type: none"> • High gloss

Substrates
<ul style="list-style-type: none"> • Most unpainted concrete surfaces
<ul style="list-style-type: none"> • Existing surfaces in sound condition

Technical Data Sheet

Substrate Preparation



All Substrates


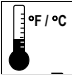
- Surfaces must be thoroughly cleaned using a pressure cleaner to remove any oil and grease.
- New concrete surfaces, particularly steel towelled, must be acid washed prior to application.
- Pre-painted surfaces in sound condition must be thoroughly cleaned using a pressure cleaner to remove any oil and grease. Any soiled or stained areas should be cleaned with Concept Wax & Grease Remover prior to application.
- Loose surfaces should be removed completely using either sandblasting or high pressure water.
- The concrete surface needs to be fully dry prior to the application of the sealer.

Product Preparation

	Reducer	Not required - product supplied ready for use	
	Pot life @ 25°C (77°F)	N/A	
	Application	Number of coats	2-3 Apply two to three even coats. Avoid heavy wet coats.
		DFT Recommended	20-25 µm 0.8-1.0 mil
	Flash off time @ 25°C (77°F)	5-10 min between coats	
	Drying	Air Dry @ 25°C (77°F)	40-60 min

This data relates only to the material designated herein and does not apply to use in combination with any other material or any process. The data is not to be considered as a warranty or quality specification and we assume no liability in connection with its use.

Technical Data Sheet

Remarks	
	Stir all products thoroughly each time before use. Stir the mixture well after the weigh-out of the components. Can be tinted with Unicote 300 tinters or Unicryl 3000 tinters
	Surface temperature must always be a minimum of 3°C (5°F) above dew point.

Equipment Cleaning	
Use recommended Concept Paints cleaner	

Dry Film Properties	
After 7 days drying, <u>when compared to similar technology products.</u>	
Adhesion	Very good
Dirt, Oil, Grease resistance	Excellent
Chemical resistance	Excellent
Durability	Excellent
Wear resistance	Very good
Ease of cleaning / maintenance	Very good

Product Data	
Colour	Water white
Theoretical Coverage	Approx. 10.0 m ² /L (410 ft ² /US gal) @ recommended DFT
Shelf Life	36 months in an unopened container at room temperature, away from sunlight.

Technical Data Sheet

Product Packaging

Product Code 1	Product Code 2	Product Name	Package Size
A07C/CONSEAL750	3639000	750 Concrete Sealer	19L, 20L

Safety

For automotive and industrial use only by professional painters. Not recommended for sale to, or use by the general public. Before using, read and follow all label and Safety Data Sheet (SDS) precautions. If mixed with other components, the mixture will have hazards of all individual components.

Read and understand the Guidelines for the Safe Handling and Use of Isocyanate Containing Paints, including the use of approved respiratory protection and Personal Protective Equipment. Use only in a well-ventilated approved spray booth, according to local regulations.

The information provided in this documentation has been carefully selected and arranged by us. It is based upon our best knowledge on the subject at the date of issuance. The Information is given for information purposes only. We are not liable for its correctness, accuracy and completeness. It is up to the user to check if the information is current and the product is suitable for its intended purpose. The intellectual property in this Information, including patents, trademarks and copyrights, is protected. All rights reserved.

We may modify and/ or discontinue operation of all or portions of this Information at any time in our sole discretion, without notice and assume no responsibility to update the Information. All rules set forth in this clause shall apply accordingly for any future changes and amendments.

This Technical Data Sheet supersedes all previous issues.

Concept Paints
26-30 Charles Street
St Marys NSW 2760
Sydney, Australia

ph. +61 (2) 9673 2555
fax. +61 (2) 9623 1918
info@conceptpaints.com.au
www.conceptpaints.com.au